

BEASY-2000

DOMESTIC WASTEWATER SOLUTION

Ultra-Compact & All-in-One System



BIOROCK

engineered for tomorrow



THE FUTURE OF WASTEWATER TREATMENT

BIOROCK is home to an internationally-acclaimed team of wastewater specialists who share the goal of providing innovative, sustainable, and eco-friendly water treatment systems.

Our level of expertise and attention-to-detail guarantees only the best, most reliable products, providing the market with the ultimate non-electrical wastewater treatment technologies.

ADVANTAGES AND BENEFITS OF THE BEASY-2000

- BEASY-2000 ■
- Electrical Plants ■
- Organic Media Plants ■

High Media Lifespan	✓	✗	✗
Low Operational Costs	✓	✗	✗
Minimal Annual Maintenance	✓	✗	✗
Ultra-Compact & Discreet	✓	✗	✗
Non Electric	✓	✗	✓
Long Septic Tank Pump-Out Intervals	✓	✗	✓
Odourless	✓	✗	✓
Silent	✓	✗	✓
Long Absence Periods	✓	✗	✓

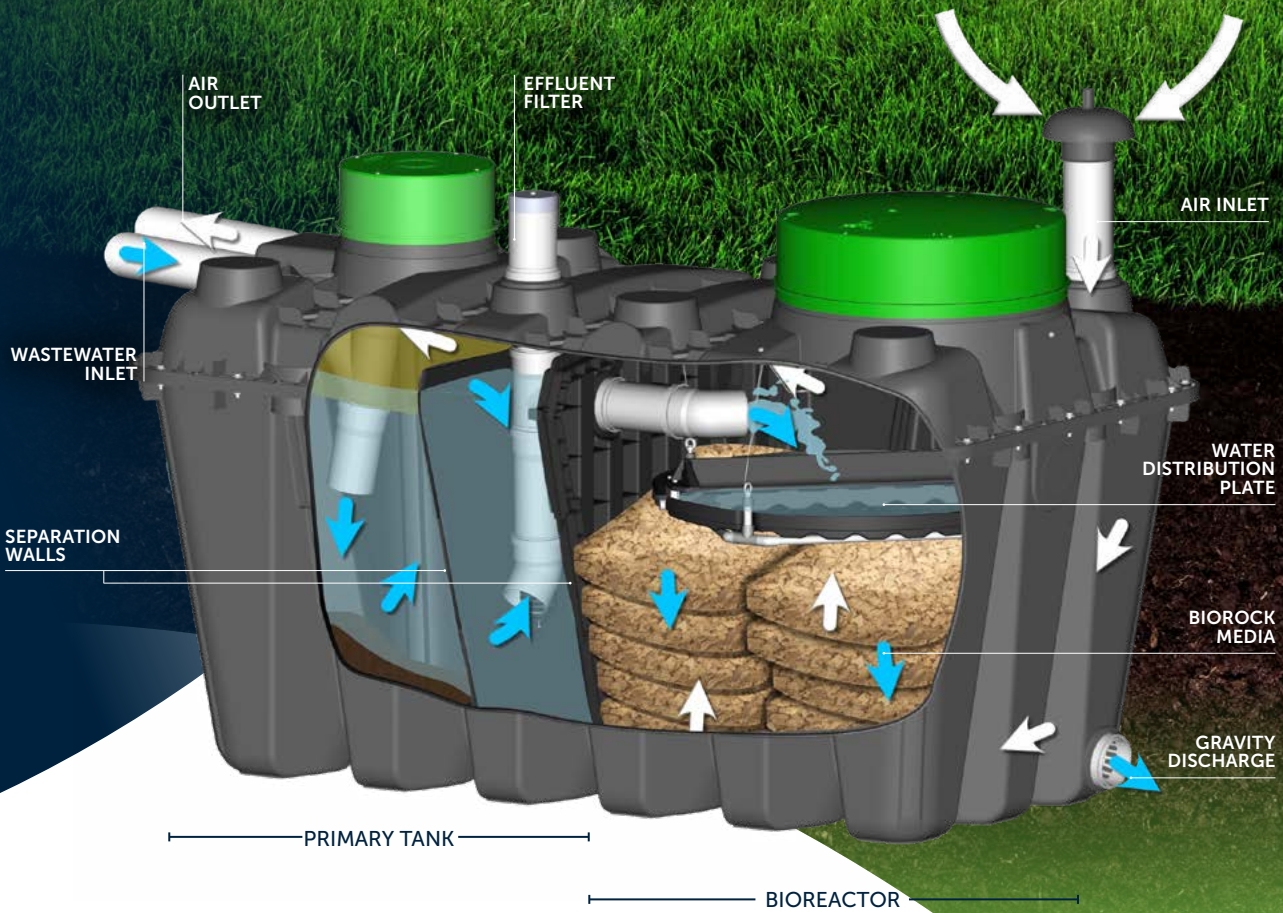
THE BEASY-2000 SOLUTION

Our **BEASY-2000 Solution** offers a simple yet effective process that requires no electricity, has no moving parts, and needs minimal annual maintenance.

This **ultra-compact wastewater treatment plant** can be used in areas where there is no access to electricity or where electricity supply is intermittent ; perfect for garden houses or chalets!

It combines everything you need to treat your wastewater, while remaining **discreet and odor-free**.

For your convenience, the system is delivered complete and pre-assembled to make installation even easier.



HOW DOES IT WORK?

Step 1: Primary Tank

The PRIMARY TANK clarifies the raw sewage of fats, oils, greases and organic solids. The sewage water then passes through an effluent filter, before discharging into the BIOROCK reactor.

Step 2: BIOREACTOR Process

Our BIOREACTOR further purifies the pretreated wastewater using a biological process. To naturally treat the wastewater, our systems use our unique BIOROCK Media, an exclusive and very efficient carrier material for bacteria.

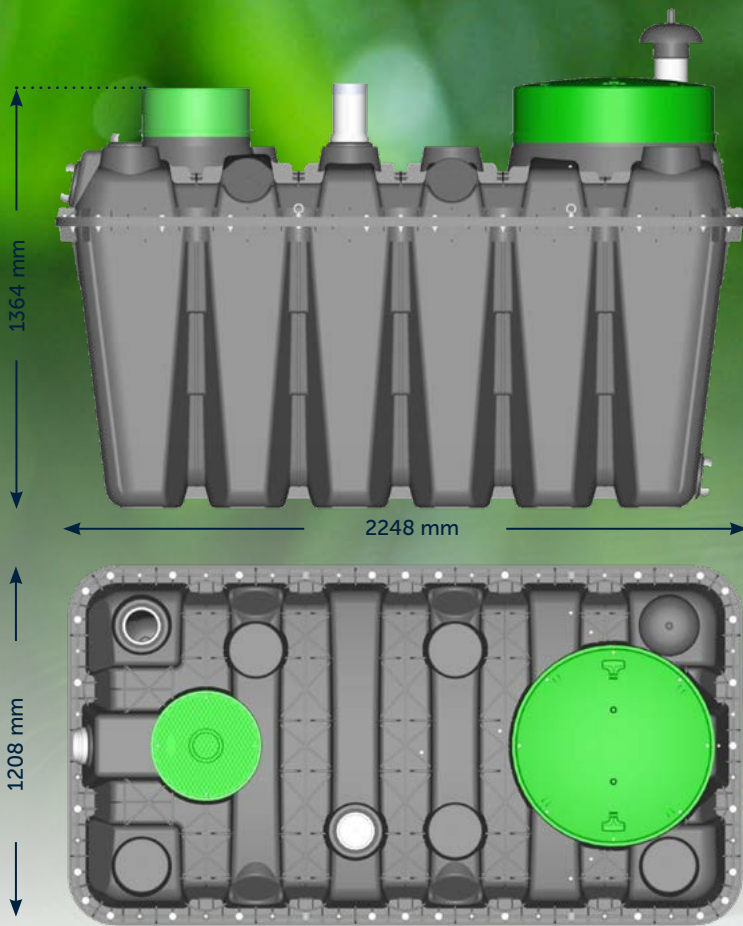
Step 3: Discharge

Depending on the ground type, effluent will be discharged by gravity, or by a pump.

THE UNIQUE BIOROCK MEDIA

Our **exclusive media** is degradation-resistant, stable, and sustainable - keeping the purification system working effectively over the long-term. You will exclusively find it in BIOROCK systems.





WHY CHOOSE BEASY-2000?

- Compact & Discreet
- Save on running costs
- Silent & Odorless
- Quick and easy to install
- Eco-friendly technology

BEASY-2000 SPECIFICATIONS

TANK VOLUME	2000 l
WEIGHT (EMPTY)	148 kg
CAPACITY IN P.E.	Up to 4 P.E.*
DAILY VOLUME OF WASTEWATER	300 liters/day

*Capacity depends on the incoming wastewater characteristics and the local effluent requirements.

SAVE MONEY WITH BEASY-2000

One of the main benefits of having a **BEASY** sewage treatment plant is that it's a long-term, sustainable, and economic investment. Our system needs minimal maintenance and does not require electricity.

You will constantly save on electricity and maintenance.

Do you need a larger non-electric power plant? We have a solution for any project, no matter the size! Contact us for more information.



BIOROCK
engineered for tomorrow

BEASY-NZ-01-2023

Call us today for more information

BIOROCK (NZ) Ltd

PO Box 46 234, Auckland 1147, New Zealand

☎ 64 21 645 199 ✉ info@biorock.co.nz

www.biorock.co.nz



CE BIOROCK units are approved and tested by many International Standards.



25 Year warranty on tanks
5 Year warranty on media

*subject to conditions